











The MX12 Project

Performance Towards Excellence

Advantages:

-  Compact design with the reliability of the Mouvex® Typhon II
-  Cardan angle reduction
-  Compatible with 6x2 trucks, considering an intra-frame assembly
-  The lightest compressor on the market in its category – 110 kg (242 lbs)
-  Reduced fuel consumption (lower inlet speed)
-  Modular design: Easy to repair, modify, or upgrade
-  Flow rate up to 1,130 m³/h
-  Cooling ensured by an oil radiator

Applications:

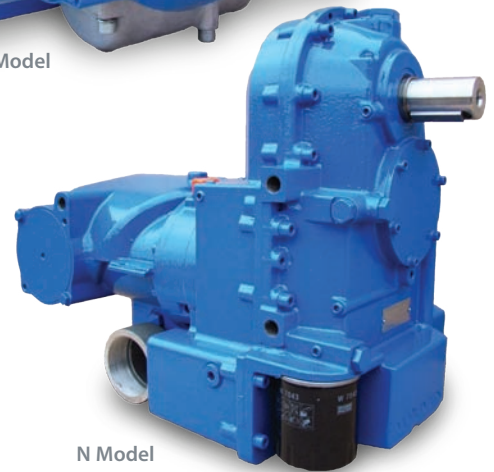
- Plastics
- Gravel
- Animal Food
- Cereals

Mouvex® MX12 Screw Compressor

The Excellent Solution for
Mounting Inside the Truck Frame



S Model



N Model



Where Innovation Flows

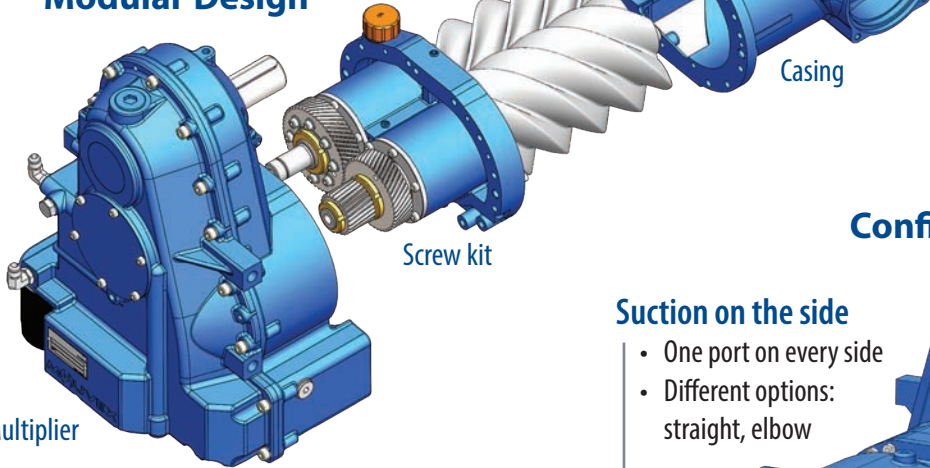




MX12 Screw Compressor

Modular Design

Multiplier



Casing

Screw kit

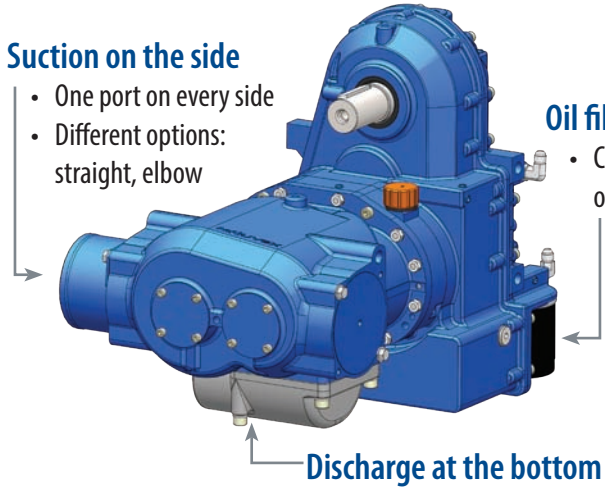
Configuration

Suction on the side

- One port on every side
- Different options: straight, elbow

Oil filter

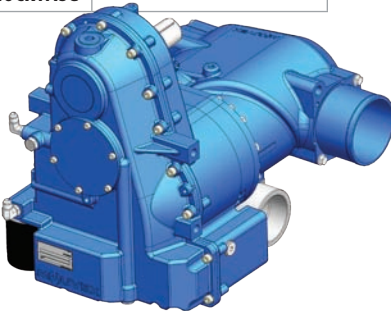
- Cleanliness of the Oil



Discharge at the bottom

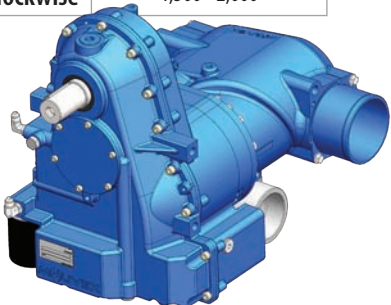
PTO Driven (S)

Rotation Direction	Inlet Speed (rpm)
Clockwise	1,500 - 2,000
Counter-Clockwise	1,800 - 2,400

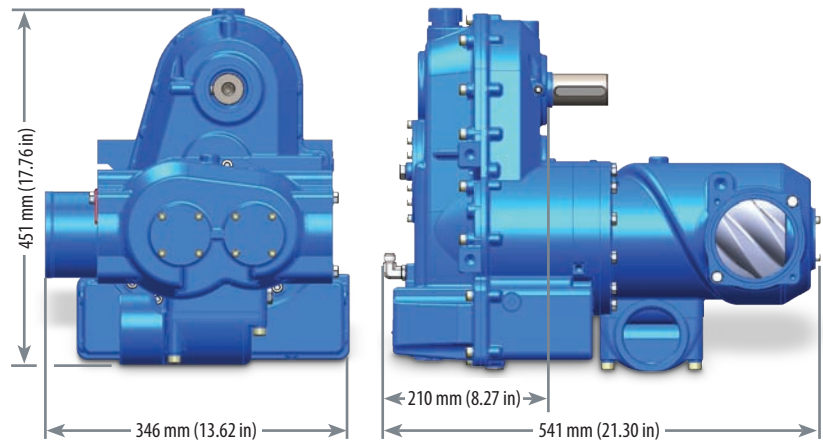


External Engine Driven (N)

Rotation Direction	Inlet Speed (rpm)
Clockwise	1,800 - 2,400
Counter-Clockwise	1,500 - 2,000



Dimensions



MOVEX reserves the right to modify the information and illustrations contained in this document without prior notice. This is a non-contractual document. 09-2018



Authorized PSG® Partner:

ZI la Plaine des Isles • 2 rue des Caillottes
 F-89000 AUXERRE - FRANCE
 Tel: + 33.3.86.49.86.30 • Fax: + 33.3.86.46.42.10
 contact@mouvex.com
 mouvex.com